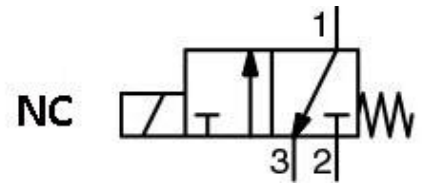


Description:

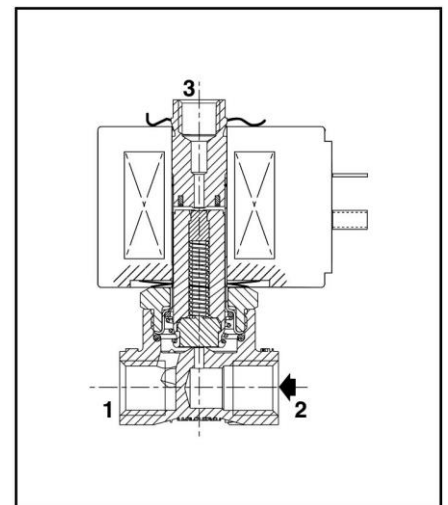
- Kompaktes Magnetventil zur Steuerung von einfachwirkenden Armaturen.
- Hohe Schaltgeschwindigkeit.
- Ventil für allgemeine 3-Wege-Pilotansteuerung optimiert, nur eine Feder und zwei bewegliche Teile.
- Kein Mindestbetriebsdruck erforderlich.


General:

Medium*	Air, neutral gases, water, oil
Pressure difference	See characteristics valve body [1 bar = 100 kPa]
Maximum viscosity	65 cSt (mm ² /s)
Response time	5 to 25 ms

Parts in contact with the medium:*

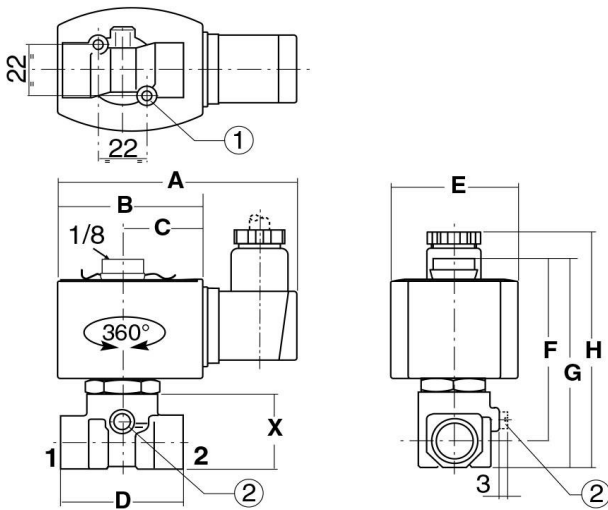
Body	Stainless steel 1.4301
Core tube	Stainless steel 1.4303
Core and plug nut	Stainless steel 1.4104
Springs	Stainless steel 1.4310
Seat seal above	FPM
Sealants	NBR
Valve disc	NBR
Shading coil	Silver
Insulation class (coil)	F
Electrical connection	ISO 4400; EN 175301-803, type A
Electrical design	IEC 335
Protection	IP65 (EN 60529)



* Ensure that the compatibility of the fluids in contact with the materials is verified.



MV14ES24



- ① 2 mounting holes \varnothing M5, 6 mm deep
- ② Manual operator

Solenoid valve, normally closed, directly operated

Art. No.	Type No.	Thread	DN	A	B	C	D	E	F	G	H	X
				mm	mm	mm	mm	mm	mm	mm	mm	mm
158061	MV14ES24	G 1/4	3.2	97.0	59.0	34.0	40.0	50.0	73.0	82.0	96.0	30.0
158062	MV14ES230	G 1/4	3.2	97.0	59.0	34.0	40.0	50.0	73.0	82.0	96.0	30.0

* Incl. solenoid and connector

Solenoid valve, normally closed, directly operated

Art. No.	Type No.	Thread	Sealant	Operating pressure min. / max. (1) bar	Medium temperature min. / max. (2) °C	Weight* kg
158061	MV14ES24	G 1/4	NBR	0 / 10	-25 / 90	0.59
158062	MV14ES230	G 1/4	NBR	0 / 10	-25 / 90	0.59

- (1) For detailed pressure information each medium, please see characteristics valve body.
- (2) At temperature below zero the medium may freeze and damage the valve.

Characteristics valve body:

Conn- ection	Nomi- nal width	Flow coefficient (Kv)				Working pressure differential (bar)								Coil Type No.		Solenoid Art. No.	
						min.	max.										
							Air/Gas*		Water*		Oil<65cSt*						
	(mm)	2 -> 1		1 -> 3									~	=	~	=	
		(m ³ /h)	(l/min)	(m ³ /h)	(l/min)	~	=	~	=	~	=	230V/50Hz	24V/DC	230V/50Hz	24V/DC		
G 1/4	3.2	0.22	3.7	0.17	2.8	0	10	6	10	6	6.5	4.5	400-238- 117-059	400-238- 142-006	158062	158061	

* Ensure that the compatibility of the fluids in contact with the materials is verified.

Electrical data:

Coils (2) DC (=) 12V - 24V → Please use the suffix »G« for order **DC valves**
 AC (~) 24V/50 Hz - 115V/50 Hz - 230V/50Hz

(1) At temperature below zero the medium may freeze and damage the valve.

(2) Other voltages and 60 Hz frequency on request.

Coil Type No.	Power				Ambient temperature (1)	Max. perm. operating temperature	Max. perm. temperature rise	Insulation class	Degree of protection with socket connector fitted
	Pickup ~	Holding ~		hot / cold =					
	(VA)	(VA)	(W)	(W)					
400-238-117-059	50	25	10.1	8.5 / 11.6	-25 to 55 (NBR)	135	80	F	IP 65
400-238-142-006									

* Coil temperature after energising.

** Additional effect of the medium temperature within the value range stated in the catalogue.

*** At 100 % ED

Installation:

- The valves can be mounted in any position without effecting operation.
- Valve bodies supplied with two mounting holes.
- Threaded connections: G 1/4 acc. to DIN EN ISO 228/1.
- Assembly and servicing instructions enclosed with each valve.